

# Alarm/Release Terminal Type Microswitch

P/N: 87-120047-001

## FEATURES

- **For Use In:**
  - **WHDR™ Commercial Cooking Fire Suppression Systems**
  - **IND™ Industrial Fire Suppression Systems**
- **Used for Alarm Circuit and Release Circuit**
- **Screw-type Terminals for Secure Wire Mounting**
- **For Use with XV Control System**
- **Meets Alarm Requirements for CSA (Canada)**
- **Stackable with Quick Connect XV™ Control System Microswitch**
- **Ships with Non-Conductive Barrier**

## DESCRIPTION

The Alarm/Release Terminal Type Microswitch is a single pole, double-throw switch used for supervision of the XV Control System for alarm activation and release actuation (Figure 1, Table 1). The microswitch kit (P/N 87-120047-001) includes the switch, non-conductive shield and mounting hardware

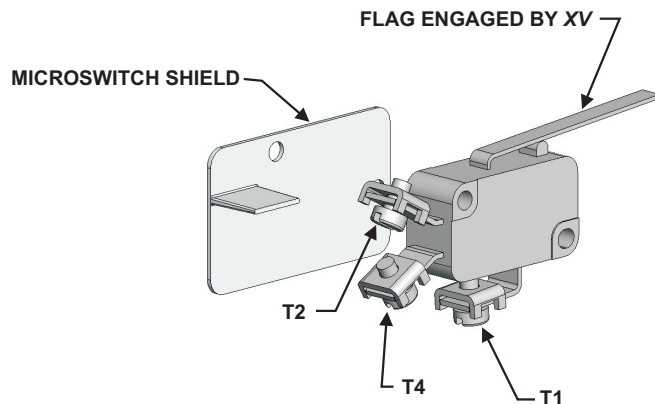


Figure 1. Alarm/Release Terminal Type Microswitch

**Table 1: Electrical Rating**

250 Vac	15 Amps
250 Vac	1/2 HP
125 Vac	1/2 HP

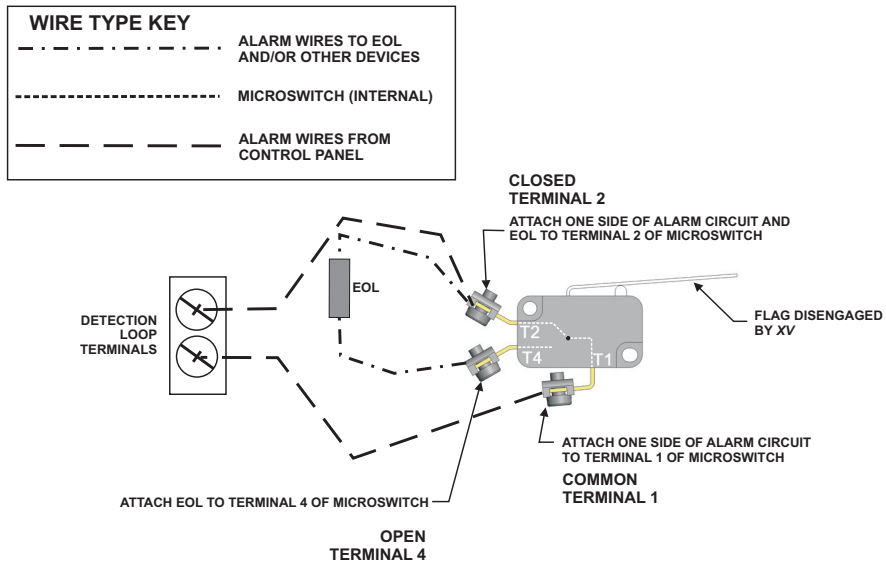
The Alarm/Release microswitch provides approved supervision for the alarm zone circuit of the Kidde AEGIS™ and ARIES™ panels, and for other UL Listed control panels (Figure 2). The switch can also be wired in series with the XV Control System Solenoid Electric Actuator (P/N 83-100034-001) to open the releasing loop upon system actuation (Figure 3).

Alarm/Release Terminal Type Microswitches are not used for electrical shutdown (i.e., appliance, gas, make-up air). Quick Connect Microswitch Kits (P/Ns 87-120039-001 and 87-120039-501) are available for shutdowns.

The XV Control System has two separate microswitch mounting locations to support up to four (4) microswitches (any combination of Quick Connect and/or Alarm/Release type). Each of the two mounting locations has a corresponding EMT port for wire leads, allowing the use of two electrical junction boxes for separation of signal lines and AC lines.

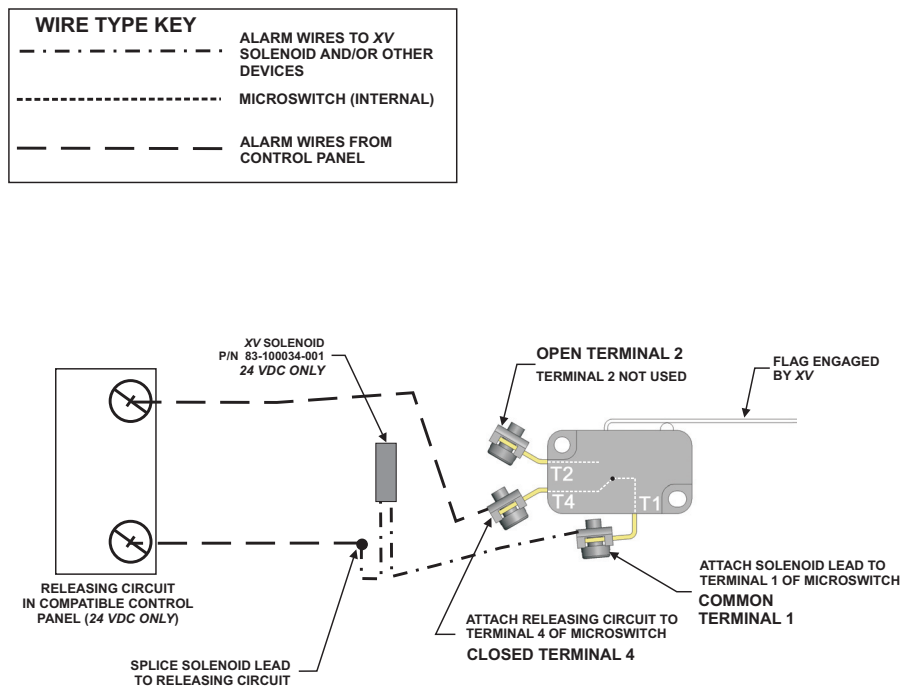
## ORDERING INFORMATION

Description	Part Number
Alarm/Release Terminal Type Microswitch	87-120047-001
XV Control System	87-120099-002
XV Solenoid Electric Actuator Kit	83-100034-001
EMT Connector Kit (set of 3)	87-120058-001
Quick Connect Microswitch Kit, Solid Leads	87-120039-001
Quick Connect Microswitch Kit, Striped Leads	87-120039-501



SWITCH POSITION WHEN XV FLAG/CAM IS IN RELEASED POSITION

Figure 2. Alarm Wiring with Terminal Type Microswitch



SWITCH POSITION WHEN XV FLAG/CAM IS IN SET POSITION

Figure 3. Release Wiring with Terminal Type Microswitch

Kidde is a registered trademark of Kidde-Fenwal, Inc.  
 WHDR, IND, XV, AEGIS and ARIES, are trademarks of Kidde-Fenwal, Inc.

This literature is provided for informational purposes only. KIDDE-FENWAL, INC. assumes no responsibility for the product's suitability for a particular application. The product must be properly applied to work correctly. If you need more information on this product, or if you have a particular question, contact KIDDE-FENWAL, INC., Ashland, MA 01721.



400 Main Street  
 Ashland, MA 01721  
 Tel.: 508-881-2000  
 Fax: 508-881-8920  
[www.kiddefiresystems.com](http://www.kiddefiresystems.com)